

Permanent Magnet DC Motors 1/4HP to 3HP

Applications:

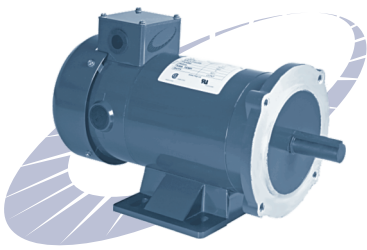
For use with SCR rated single phase DC variable speed controls used in conveyors, pumps, packaging equipment and many other applications where economical precise speed control is required.

Features:

- SCR rated
- TEFC & TENV
- NEMA C face with removable feet
- Permanently lubricated sealed bearings
- High quality magnets for high starting torque and increased efficiency
- Linear speed/torque throughout speed range

HP	CAT. #	RPM	ARM. DC VOLTS	FRAME	ENCL.	F.L. AMPS	TORQUE (IN.LBS.)	WGT. LBS.
1/4	MM2590FC	1750	90	56C	TEFC	2.9	9	21
	MM2590NV	1750	90	56C	TENV	2.9	9	21
	MM2518FC	1750	180	56C	TEFC	1.45	9	21
	MM2518NV	1750	180	56C	TENV	1.45	9	21
1/3	MM3390FC	1750	90	56C	TEFC	3.6	13.5	23
	MM3390NV	1750	90	56C	TENV	3.6	13.5	23
	MM3318FC	1750	180	56C	TEFC	1.8	13.5	23
	MM3318NV	1750	180	56C	TENV	1.8	13.5	23
1/2	MM5090FC	1750	90	56C	TEFC	5.2	18	25
	MM5090NV	1750	90	56C	TENV	5.2	18	25
	MM5018FC	1750	180	56C	TEFC	2.6	18	25
	MM5018NV	1750	180	56C	TENV	2.6	18	25
3/4	MM7590FC	1750	90	56C	TEFC	7.8	27	30
	MM7518FC	1750	180	56C	TEFC	3.9	27	30
1	MM1090FC	1750	90	56C	TEFC	10.4	36	33
	MM1018FC	1750	180	56C	TEFC	5.2	36	33
1 1/2	MM1518FC	1750	180	145TC	TEFC	7.2	54	45
2	MM2018FC	1750	180	145TC	TEFC	10.4	72	55
3	MM3018FC	1750	180	145TC	TEFC	17	109	70

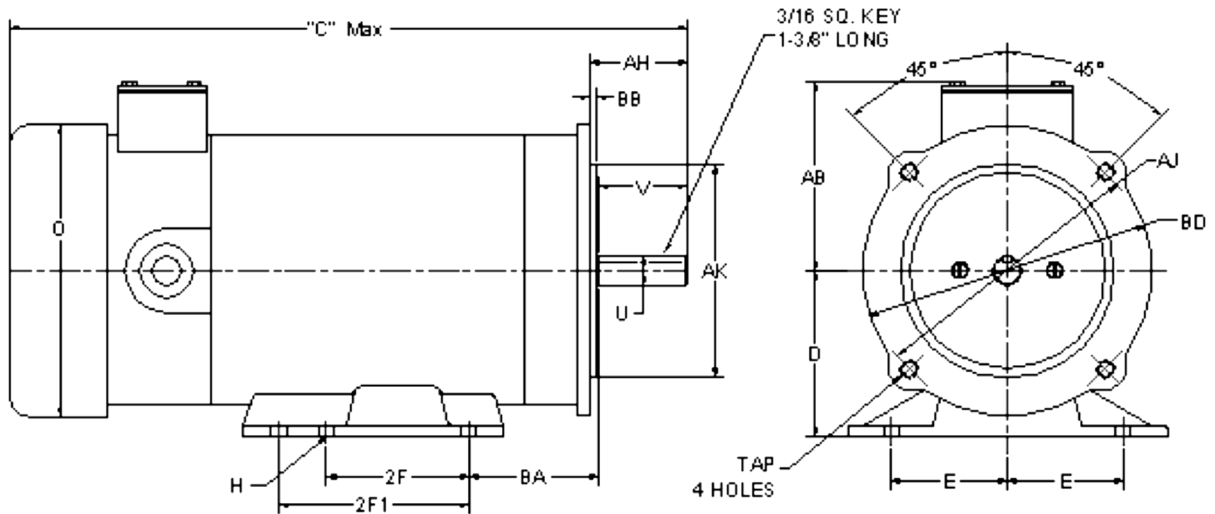




MaxMotion

Permanent Magnet DC Motors 1/4HP to 3HP

PMDC MOTOR DIMENSIONS



HP	1/4-FC	1/4-FC	1/3-FC	1/3-NV	1/2-FC	1/2-FC	3/4	1	1.5	2	3
D	3.5	3.5	3.5	3.5	3.5	3.5	3.5	3.5	3.5	3.5	3.5
E	2.44	2.44	2.44	2.44	2.44	2.44	2.44	2.44	2.75	2.75	2.75
2F	3	3	3	3	3	3	3	4	4	4	4
2F1	-	-	-	-	-	-	-	5	5	5	5
H	11/32	11/32	11/32	11/32	11/32	11/32	11/32	11/32	11/34	11/34	11/34
O	5.625	-	5.625	-	5.625	-	5.625	5.625	7	7	7
U	0.625	0.625	0.625	0.625	0.625	0.625	0.625	0.625	0.875	0.875	0.875
V	1.875	1.875	1.875	1.875	1.875	1.875	1.875	1.875	2	2	2
AB	4	4	4	4	4	4	4	4	4.5	4.5	4.5
AH	2.063	2.063	2.063	2.063	2.063	2.063	2.063	2.063	2.12	2.12	2.12
AJ	5.875	5.875	5.875	5.875	5.875	5.875	5.875	5.875	5.875	5.875	5.875
AK	4.5	4.5	4.5	4.5	4.5	4.5	4.5	4.5	4.5	4.5	4.5
BA	2.75	2.75	2.75	2.75	2.75	2.75	2.75	2.75	2.75	2.75	2.75
BB	0.125	0.125	0.125	0.125	0.125	0.125	0.125	0.125	0.125	0.125	0.125
BD	6.14	6.14	6.14	6.14	6.14	6.14	6.14	6.14	6.14	6.14	6.14
TAP	375-16	375-16	375-16	375-16	375-16	375-16	375-16	375-16	375-16	375-16	375-16
C	11.625	11.181	11.625	11.181	12.438	12.01	13.938	14.75	16	16.75	17.72

The above dimensions are in inches



2831 Bristol Circle,
Unit 3
Oakville, Ontario
L6H 6X5
www.mep.ca
1-877-812-7788