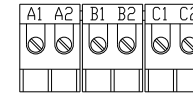
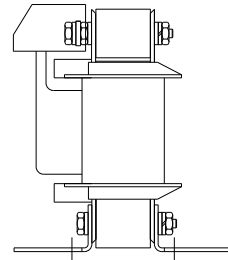
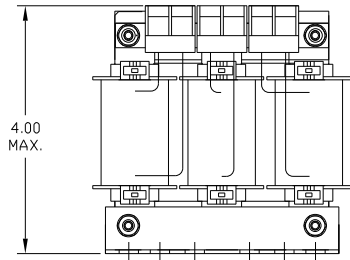


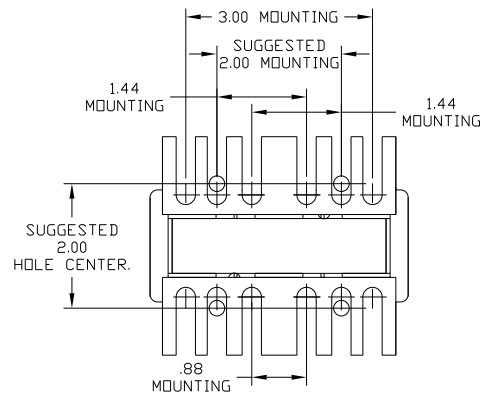
CATALOG NO	VOLTAGE	NEC MOTOR HP	NEC MOTOR CURRENT	WATTS LOSS	APPROX WT-LBS	TORQUE (LB-IN)
KDRA51H	575/600	1.5	2.4	26	4	10

NOTE: NEC MOTOR CURRENT SHOWN ARE BASED ON HORSEPOWER AT 575 VOLTS.



NOTE: A1, A2, B1, B2, C1, C2, MARKINGS ON TERMINAL BLOCK FOR REFERENCE ONLY.

BLOCK WIRE RANGE FOR REACTOR AND TIGHTENING TORQUE.	#12-#18 AWG 10 LB-IN
---	-------------------------



				TOLERANCES (EXCEPT AS NOTED)	TCI 7878 N. 86th STREET MILWAUKEE, WI 53224		
				DECIMAL	KDR DRIVE REACTOR 600V HIGH Z, FRAME A		
				.XX ± .03 .XXX ± .01			
ADD MARKING NOTE				FRACTIONAL	DRN. BY	DATE	DWG. NO.
2235 MOUNTING CHANGE				± 1/32	DSW	02/20/03	B
NO REVISION				ANGULAR	SCALE	APRVD.	KDRA51HDG
				± 1/2°			SHT. 1 OF 1