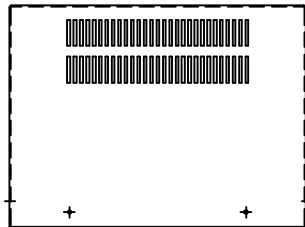
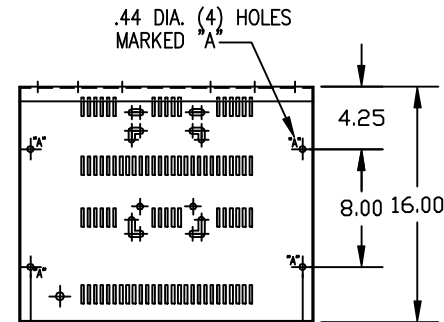
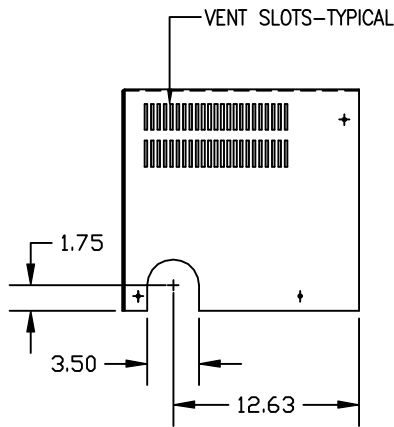


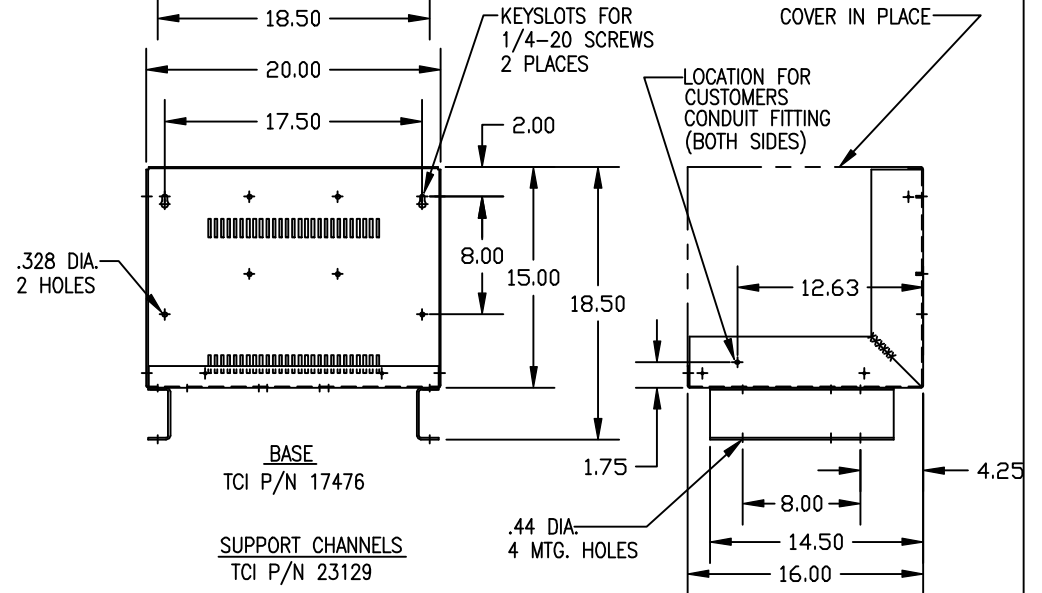
NOTES:
 MATERIAL: #14GA (.074) STEEL
 FINISH:
 PRODUCT CODE - 312E
 COLOR - PEBBLE GRAY (BEIGE)
 POWDER TYPE - POLYESTER
 -POLYURETHANE



COVER
 TCI P/N 17474



NOTES:
 MATERIAL: #12GA (.104) STEEL
 FINISH:
 PRODUCT CODE - 312E
 COLOR - PEBBLE GRAY (BEIGE)
 POWDER TYPE - POLYESTER
 -POLYURETHANE
 CHANNEL - 14GA (.0747) STEEL
 TOTAL ENCLOSURE WEIGHT: 50 LBS



				TOLERANCES (EXCEPT AS NOTED):		7878 N. 86th STREET MILWAUKEE, WI 53224	
				DECIMAL			
				.XX ± .01		KLC CABINET SIZE 5 BASE AND COVER	
				.XXX ± .005			
				FRACTIONAL			
				± 1/32		DRN. BY: RJC DATE: 04-16-01 DWG. NO.: C5	
				ANGULAR		SCALE: 1/8"=1" APPROV: B	
△ REDRAWN-NO REVS		4/4/01 RJC		NO REVISION		DATE BY SHT.1 OF 1	