

## Features:

### Performance and convenience

- 56–505U frame size in stock; 56–145T frames are single-adjusting screw type; 182T–505U frames are double-adjusting screw type
- Bases are provided with washers
- Primed with oven-baked primer for easy painting (color: black)

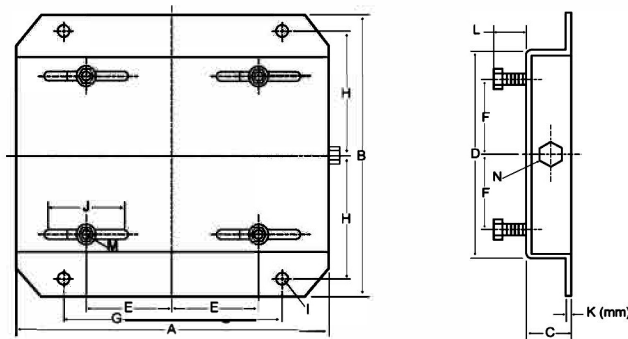
### Reliability

- Three (3) year warranty

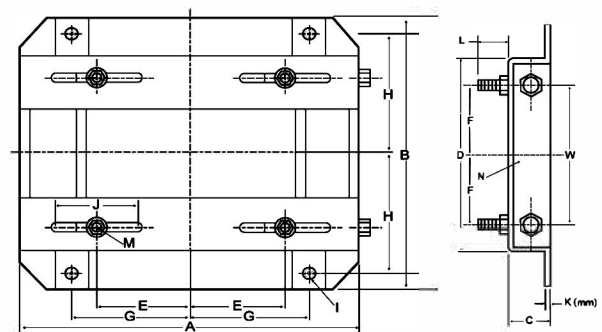
### Protection

- All “D” bolts (or motor mounting bolts) are welded into position to prevent spinning and dropping from slots
- All “D” bolts (or motor mounting bolts) are fixed to the exact foot pattern of the motor to aid in easier motor installation

Frame: 56–145T



Frame: 182T–505T



Frame	Weight	Model Number	Mounting Dimensions														
			A	B	C	D	E	F	G	H	I	J	K (mm)	L	M	N	W
56	3	56W	10 5/8	6 1/2	1 1/8	4 1/2	2 7/16	1 1/2	3 13/16	2 7/8	3/8	3	2	7/8	5/16 x 1	3/8 x 4	--
143T	6	143W	10 1/2	7 1/2	1 1/8	5 1/2	2 3/4	2	3 3/4	3 3/8	3/8	3	3	13/16	5/16 x 1	3/8 x 4	--
145T	7	145W	10 1/2	8 1/2	1 1/8	6 1/2	2 3/4	2 1/2	3 3/4	3 7/8	3/8	3	3	13/16	5/16 x 1	3/8 x 4	--
182T	10	182B2W	12 3/4	9 1/2	1 1/2	6 1/2	3 3/4	2 1/4	4 1/2	4 1/4	1/2	3	3 1/2	1 1/2	3/8 x 3/4	1/2 x 6	4 1/2
184T	10	184B2W	12 3/4	10 1/2	1 1/2	7 1/2	3 3/4	2 3/4	4 1/2	4 3/4	1/2	3	3 1/2	1 1/2	3/8 x 1 3/4	1/2 x 6	5 1/2
213T	15	213B2W	15	11	1 3/4	7 1/2	4 1/4	2 3/4	5 1/4	4 3/4	1/2	3 1/2	3 4/5	1 1/2	3/8 x 1 3/4	1/2 x 6	5 1/2
215T	17	215B2W	15	12 1/2	1 3/4	9	4 1/4	3 1/2	5 1/4	5 1/2	1/2	3 1/2	3 4/5	1 1/2	3/8 x 1 3/4	1/2 x 6	7
254T	19	254B2W	17 3/4	15 1/8	2	10 3/4	5	4 1/8	6 1/4	6 5/8	5/8	4	4 3/5	1 7/16	1/2 x 1 3/4	5/8 x 6	5 5/16
256T	20	256B2W	17 3/4	16 7/8	2	12 1/2	5	5	6 1/4	7 1/2	5/8	4	4 3/4	1 7/16	1/2 x 1 3/4	5/8 x 6	7
284T	24	284B2W	19 3/4	16 7/8	2	12 1/2	5 1/2	4 3/4	7	7 1/2	5/8	4 1/2	4 3/5	1 11/16	1/2 x 2	5/8 x 6	7
286T	25	286B2W	19 3/4	18 3/8	2	14	5 1/2	5 1/2	7	8 1/4	5/8	4 1/2	4 3/5	1 11/16	1/2 x 2	5/8 x 6	8
324T	35	324B2W	22 3/4	19 1/4	2 1/2	14	6 1/4	5 1/4	8	8 1/2	3/4	5 1/4	4 3/5	2 3/16	5/8 x 2 1/2	3/4 x 9	7
326T	36	326B2W	22 3/4	20 3/4	2 1/2	15 1/2	6 1/4	6	8	9 1/4	3/4	5 1/4	4 3/5	2 3/16	5/8 x 2 1/2	3/4 x 9	8 1/2
364T	49	364B2W	25 1/2	20 1/2	2 1/2	15 1/2	7	5 5/8	9	9 1/8	3/4	6	5 4/5	2 1/16	5/8 x 2 1/2	3/4 x 9	7 3/4
365T	50	365B2W	25 1/2	21 1/2	2 1/2	16 1/2	7	6 1/8	9	9 5/8	3/4	6	5 4/5	2 1/16	5/8 x 2 1/2	3/4 x 9	8 3/4
404T	66	404B2W	28 3/4	22 3/8	3	16 1/2	8	6 1/8	10	9 7/8	7/8	7	5 4/5	2 1/2	3/4 x 3	3/4 x 11	8 3/4
405T	68	405B2W	28 3/4	23 7/8	3	18	8	6 7/8	10	10 5/8	7/8	7	5 4/5	2 1/2	3/4 x 3	3/4 x 11	10 1/4
444T	74	444B2W	31 1/4	24 5/8	3	19 1/4	9	7 1/4	11	11	7/8	7 1/2	5 4/5	2 1/2	3/4 x 3	3/4 x 11	11
445T	76	445B2W	31 1/4	26 5/8	3	21 3/4	9	8 1/4	11	12	7/8	7 1/2	5 4/5	2 1/2	3/4 x 3	3/4 x 11	13
447T	102	447B2W	31 1/4	30 1/8	3	24 3/4	9	10	11	13 3/4	7/8	7 1/2	8	3	1/4 x 3 1/2	3/4 x 11	16 1/2
449T	105	449B2W	31 1/4	35 1/8	3	29 3/4	9	12 1/2	11	16 1/4	7/8	7 1/2	8	3	3/4 x 3 1/2	3/4 x 11	21 1/2
505T	137	505B2W	30	30	3 1/2	22 1/4	10	9	12 1/2	13 1/2	1	8	8	3	7/8 x 3 1/2	7/8 x 12	14 1/2